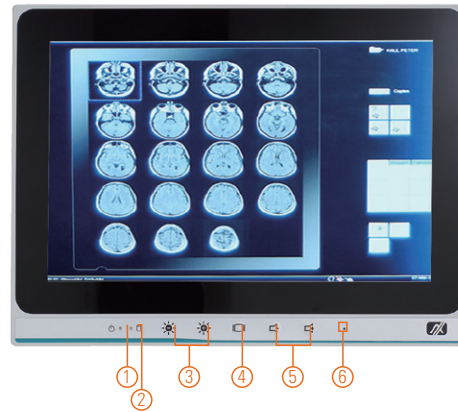


MPC103-845

10.1" WXGA TFT Fanless Medical Grade Touch Panel Computer with Intel® Celeron® Processor N3060

Features

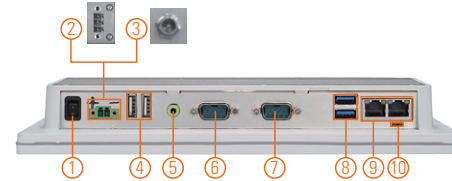
- 10.1" WXGA TFT LCD display with LED backlight
- Fanless design with Intel® Celeron® processor N3060
- 2 GbE LANs, 4 USB and 2 COM
- Plastic and IP65-rated front bezel
- Supports RFID (optional)
- External AT/ATX mode selection switch
- Easy access storage design
- Supports panel mount, wall mount, VESA arm and desktop stand
- Adjustable RS-232/422/485 setting via BIOS
- 4th EN 60601-1 (ESD contact 8KV, air 15KV), CE and FCC



1. Power LED
2. HDD LED
3. Brightness adjust +/-
4. Display on/off
5. Volume adjust
6. Mic-in (optional)



▲ Side view



1. Power switch (ATX)
2. Terminal block for DC power input
3. Screw connector with AC power adapter
4. 2 x USB 2.0
5. Audio (Line-out)
6. 1 x RS-232/422/485
7. 1 x RS-232
8. 2 x USB 3.0
9. 2 x LAN
10. AT/ATX switch



Introduction

The MPC103-845 is a 10.1" fanless medical touch panel computer. It adopts a modern, super sleek and fanless design and is equipped with a 10.1" TFT LCD as well as Intel® Celeron® processor N3060 dual core up to 2.48 GHz. For wireless network connection, the MPC103-845 offers 2 PCI Express Mini Card slots. By just plugging in the WLAN card, customers can have instant access to wireless LAN/GPRS/GSM/4G environments. Besides, it provides two types of power input: DC power with terminal block connector and AC power adapter with screw type connector.

Super Slim & Ultra Lightweight Design

With a thickness of 38 mm and weight of 1.08 kg, the MPC103-845 is designed for use in space-constrained environments.

Certifications

This 10.1-inch medical panel platform complies with 4th version of EN 60601-1 and CE, FCC Class B certifications to ensure medical operation safety.

Aluminum Back Chassis with Excellent Thermal Solution

With Axiomtek's patent for plastic plus aluminum mechanism design, the MPC103-845 can dissipate the heat easily and keep the system operation stable.

Specifications

| | | |
|-------------|---|---|
| Front Bezel | IP65, NEMA 4 rugged protection, plastic front bezel | |
| LCD Panel | Display Type | 10.1" WXGA TFT LCD with LED backlight |
| | Brightness (cd/m ²) | 350 nits |
| | Resolution | 1280 x 800 |
| | Viewing Angel (H/V) | 170°/170° |
| Main System | CPU | Intel® Celeron® processor N3060 2 cores (up to 2.48 GHz) |
| | System Memory | 1 x 204-pin DDR3L-1600 SO-DIMM, up to 8GB |
| | BIOS | AMI UEFI BIOS |
| | Storage | 1 x Half-slim SATA SSD (for MPC103-845-PCT-J, optional) 1 x mSATA |
| | Watchdog Timer | 255 levels, 0 to 255 sec. |
| | Onboard Graphics | Integrated in Intel® GFX |

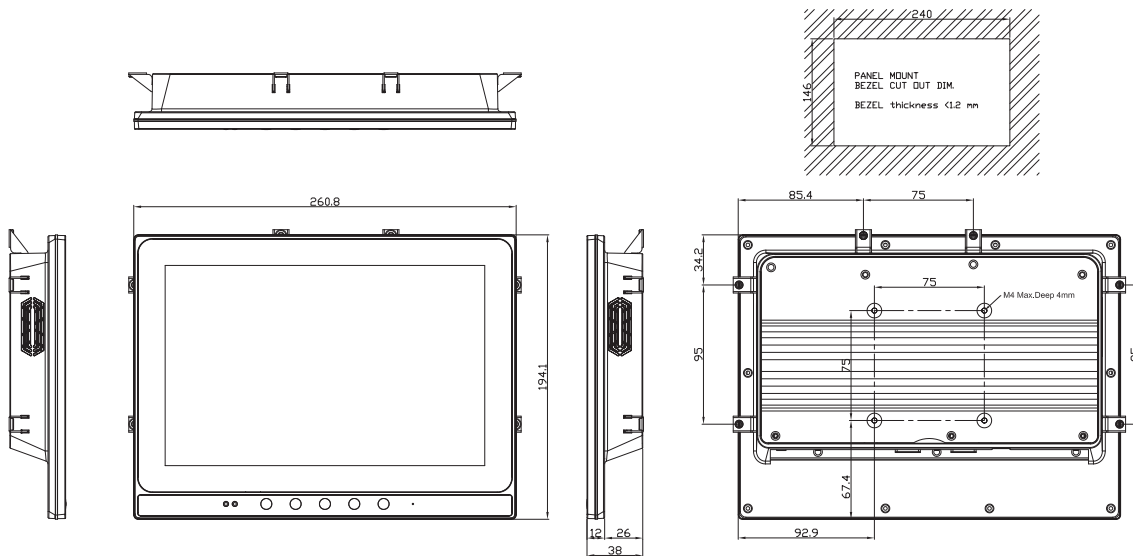
Specifications

| | |
|-----------------------|--|
| I/O Connector | 1 x RS-232 1 x RS-232/422/485 (default RS-232) 1 x Switch for power on/off 1 x AT/ATX mode selection switch 2 x USB 2.0 2 x USB 3.0 1 x Audio (Line-out) 2 x 10/100/1000 Mbps Ethernet (Intel® i211-AT) |
| Expansion Interface | 1 x Full-size PCI Express Mini Card slot with mSATA 1 x Full-size PCI Express Mini Card slot with SIM |
| Touchscreen | Projected capacitive multi-touch |
| Power Supply | AC version: 100 to 240 VAC-DC, 65W power adapter or DC version: 9 to 36 VDC with over current protection fuse |
| Power Consumption | 40.32 W |
| Dimension | 387.9 mm (15.27") (W) x 54.6 mm (2.14") (D) x 307.7 mm (12.11") (H) |
| Packing Dimensions | 510 mm (20.08") (W) x 105 mm (4.13") (D) x 385 mm (15.16") (H) |
| Weight (net/gross) | 1.08 kg (2.38 lb)/2.18 kg (4.8 lb) |
| Operating Temperature | 0°C to +40°C (+32°F to +122°F) |
| Relative Humidity | 20% to 90% @ +40°C; non-condensing |
| Operation Vibration | 2G, 5 - 500Hz, random for SSD |
| Certifications | 4th EN 60601-1 (ESD contact 8KV, air 15KV), CE and FCC |

Packing List

| |
|---------------------------------------|
| 1 x MPC103-845 |
| 1 x Driver CD |
| 1 x Adapter (MPC103-845-J) |
| 1 x Power cord (MPC103-845-J) |
| 1 x Phoenix connector (MPC103-845 DC) |

Dimensions



Ordering Information

| Standard | |
|---------------|---|
| MPC103-845-J | 10.1" WXGA fanless medical touch panel computer with Intel® Celeron® processor N3060, projected capacitive touch screen, AC-DC 65W power adapter (screw type connector) and EMI class B |
| MPC103-845-DC | 10.1" WXGA fanless medical touch panel computer with Intel® Celeron® processor N3060, projected capacitive touch screen and DC power input (terminal block connector) |

Optional Accessories

| | |
|--------------------------------|---|
| Wi-Fi + Bluetooth kit | |
| Half slim SATA SSD bracket kit | |
| 82251030080E | GOT5103W-845 half slim SSD kit SFP for GOT5103W-845-PCT-J |
| 881251030A0E | Panel mount kit |
| 881238460A0E | Wall mount kit |
| 881251203A0E | RFID kit |
| E226171119 | Stand Kit |

*Specifications and certifications may vary based on different requirements.

Optional EOS Installation

| |
|---------------|
| WES 7 |
| WE8S (64-bit) |

Optional OS Installation

| |
|-----------------------|
| Windows® 7 |
| Windows® 8.1 (64-bit) |
| Windows® 10 |

